

NEW PRODUCTS NEW PRODUCTS NEW PRODUCTS NEW PRODUCTS NEW PR



Introducing GPI's Latest

**NEW
PRODUCTS**





Lockout Features & Enclosures

New Lockout Feature



4-20 mA Transmitter
without Display

**NOW AVAILABLE
WITH LOCKOUT
FEATURE**



4-20 mA Transmitter
with Display

GPI 4-20 Transmitters now include a lockout feature. This selectable feature prevents tampering with the 4-20 mA settings. The lockout feature is easy to activate and deactivate as needed.

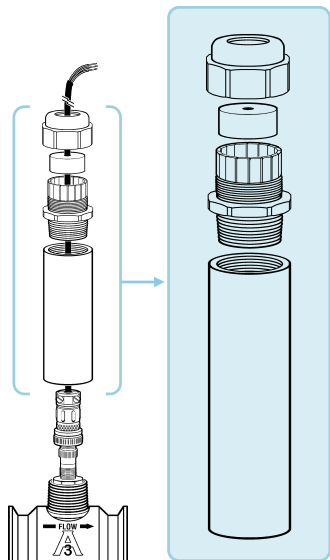
The lockout feature applies to the following GPI models:

GA500	GA510
GX500	GX510

All GM Series meters with 4-20 mA - local mount.

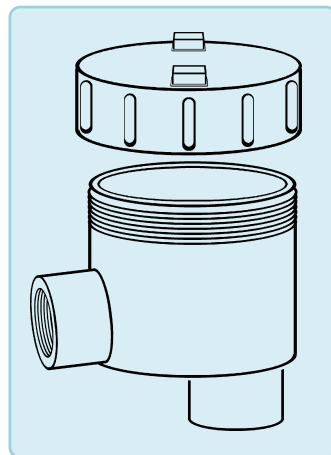
G2 Series Remote 4-20mA
Transmitter with or without
display

Pickup Enclosures



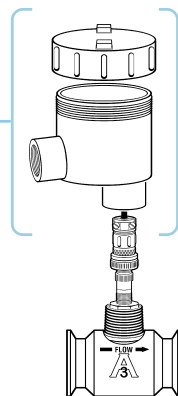
Model Numbers
N4AWP & N4SWP

**N4SWP
NOW
AVAILABLE**



Model Numbers
N7AXP or N7ATXP

Pickup Enclosures are optional on G Series Meters. Choose from four pickup enclosures. Models N4A and N4S are weatherproof enclosures. For explosion-proof enclosures, choose N7A for the enclosure w/o terminal strip or the N7AT with terminal strip.



Description	Part No.
N4AWP - Weatherproof magnetic pickup steel enclosure	80001101
N4SWP - Weatherproof magnetic pickup 316 Stainless Steel enclosure	80001105
N7AXP - Explosion-proof pickup enclosure (NEMA 7D)	80001100
N7ATXP - Explosion-proof pickup enclosure with terminal strip (NEMA 7D)	80001102
Optional Spacer	42825524

BUY SMART . BUY VALUE . BUY



Wireless Transmitter & Receiver

FOR G2 SERIES METERS



Part No.
12530001



GPI's new, battery-powered Wireless Transmitter is designed to transmit flowrate from a G2 Series meter to the Receiver. This system includes both the Transmitter and Receiver. The Wireless Transmitter is perfect in many plant applications. Both Transmitter and Receiver are color coded making installation easy for optimum signal transmissions.

WIRELESS ASSEMBLY SPECIFICATIONS

Kit Includes:	Transmitter to fit to G2 Meter. Receiver includes 25 feet cable. Transmitter Battery Pack
Transmission Frequency:	903.37 MHz - 921.37 MHz
Power Supply:	
Transmitter:	Battery Pack (2 each) 3/4 AA Lithium (3.6V each - 7.2V total)
Receiver:	5 VDC - 35 VDC
Signal:	
Transmitter:	Delayed Burst Transmission Method
Receiver:	Open Collector (Current Sinking) Max. OFF Voltage: 60V Max. ON Voltage: 200 mA
Transmission Distance:	300 ft. Maximum; Line of Sight
Available Channels:	Eight
Transmission Time Intervals:	Four (1 sec., 2 sec., 5 sec., 10 sec.)
Enclosure:	NEMA 4

Features and Benefits:

- ✓ Simple to use.
- ✓ Affordable wireless system.
- ✓ Battery powered.
- ✓ Retro fits GPI meters.

APPROVALS



Industry Canada Approval Class B digital device, part 15 of FCC Rules

BUY SMART . BUY VALUE . BUY



3/4" Oval Gear Pulse Meter

GM006 Meter



The GM006 Meter is a low to medium flow range model. This meter is great for lubrication products and fluids compatible with aluminum.

ACCURACY: ± 0.5% OF READING

Select Your Body Material:

Aluminum
Stainless Steel



Features and Benefits:

- ✓ Extremely accurate even with viscous fluids.
- ✓ Handles particles sizes to 0.011"/0.28 mm.
- ✓ Meter design minimizes the number of wear-able parts – extending product life.
- ✓ Comes with Reed Switch as standard, Hall Effect Sensor* optional.
- ✓ Choose from a variety of Output and Display Options.
- ✓ Certificate of Accuracy supplied with meter.

GM006 - SPECIFICATIONS

Fitting Type:	BSP or NPT (Female)
Sensor Options:	Reed Switch / Hall Effect Sensor*
Rotor Materials:	PPS
O-Ring:	Viton (Standard), Teflon® (Optional)
Output Options:	Pulse Out or Local 4-20 mA Transmitter
Display Options:	Standard LC Display or Local 4-20 mA with Standard Display
Flow Range:	0.8 - 15.8 GPM (3 - 60 LPM)
Flow Range @ < 5 cps:	4.5 - 15.8 GPM (17 - 60 LPM)
Accuracy:	± 0.5% of reading
Repeatability:	± 0.03%
Maximum Viscosity:	Standard Rotors: 1,000 cps
Pressure Rating:	800 PSI / 55 BAR
Maximum Temperature:	
PPS Rotors:	176°F / 80°C
Typical K-Factor:	
Single Pickup:	197 PPG / 52 PPL
Double Pickup:	394 PPG / 104 PPL
Wetted Mat'l. - Housing:	
Aluminum:	Aluminum
Wetted Mat'l. - Bearings:	PPS
Wetted Mat'l. - Shaft:	316 Stainless Steel
Frequency Range:	2.6 - 51.9 Hz @ 0.8 - 15.8 GPM
Recommended Strainer Size:	60 mesh
Shipping Weight (approx.):	
Aluminum:	4.30 lbs. (1.9 kg)
Remote Display:	Option Available: Model GG500
Remote Transmitter:	Options Available: Model GA500 & GX500

* Hall Effect Sensor requires dedicated power source.

BUY SMART . BUY VALUE . BUY



New Electronics Upgrades

Customers using GPI Electronics have come to expect flexibility and adaptability in our Electronics Product Family. The full line includes simple-to-use, two-button displays to Remote and Local Transmitters with a variety of input and output options. As new applications develop, GPI responds quickly with product improvements including the following:

1

K-Factor Entry on Remote Transmitters With Display



GX500 shown here

GG and GX Model Transmitters are delivered ready for K-Factor entry. Calibration can be inconvenient in some applications especially when using sampling-type methods. GPI upgraded the following products to allow K-Factor entry.

- GG500 and GX500 upgrade.
- GG510 and GX510 NEW local mount transmitters.

2

GG500 Battery Powered Remote Pulse-Out Transmitter

The GG500 upgrade allows for Sine Wave input. Previously Sine Wave input was available on models GA500 or GX500. This is the meter of choice for applications requiring pulse output from a remote unit with the GPI display.

This upgrade allows the GG500 to be used with G Series, G2 and A1 meters in addition to the Oval Gear Series. Changes to the electronics board make wiring even easier.

Order models GG500 and GX500 in hour or minute versions.

3

NEW GA510, GG510 and GX510



GG510 shown here mounted on GSCPS Sanitary Meter

GA510, GG510 and GX510 are new local mount transmitters from GPI. The GG510 model comes battery powered with an external power option. Models GA510 and GX510 are loop powered.



GX510

GG510

GA510

For mounting to the popular G2 Series, use the Conduit Connector featured in this catalog.

Selecting the Right Electronics

Different electronic choices can help you create a complete system to monitor liquid flow. Key to selecting the correct Electronics is a review of the end-user application. Application depends on many factors: fluid type, flowrate, line size, temperature and accuracy required.

BUY SMART . BUY VALUE . BUY **GPI**



New Accessories

90° Adapter Kit

FOR A1, A2, G2 & TM METERS



Part No.
125260-01

The GPI 90° Display Adapter Kit is perfect for applications requiring a vertical mount on a GPI turbine meter. The Adapter Kit is simple to install, economical and fits A1, A2, G2 and TM Meters.

This lightweight kit comes complete with an O-Ring, all screws required and the foam spacers to fit GPI meters. Use the 90° Adapter Kit and a GPI meter as a great substitute for rotameters.

Reading the horizontal display while the meter is inline vertically is no problem with this new kit.

Conduit Connector

FOR A1, A2 AND G2 METERS



Part No.
113437-01

The Conduit Connector allows you to enclose wiring from the magnetic pickup for A1, A2 and G2 Series Meters.

The Conduit Connector Kit includes a turbine meter cover with 1 inch male NPT conduit fitting and screws for plastic or metal meter installation.

Electronics Programmer

FOR GM SERIES AND G2 METERS



Part No.
113800-06

The GPI Electronics Programmer is a system composed of a small USB interface unit, a USB cable, and a software program. This kit is perfect for reconfiguring multiple GPI Electronics for the first time or when changing the configuration over the life of the meter.

Used with your PC, it allows quick, convenient, on-screen setting (and reading) of setup options and calibration data from many GPI Electronic Digital Meters (EDMs).

All of the options that can be set during manual configuration are available, as well as some factory-only options that are otherwise not accessible.

BUY SMART . BUY VALUE . BUY **GPI**



Flow Instruments - New Models

GBT Series Deluxe Batch Controller

The GBT is used for batch control or inventory tracking, and can display both Rate and Total. The GBT can automatically open and shut a solenoid valve with two stage valve control.



Features and Benefits:

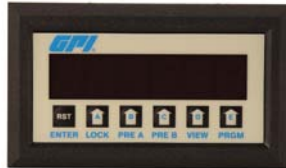
- ✓ Two setpoints for two-stage valve control.
- ✓ Scaled pulse output – NPN.
- ✓ 110 or 220 AC power or 12-27 VDC.

GBT – SPECIFICATIONS

Display:	Lighted 8-digit, 0.55" High, 15 segment, red-orange LED
Pulse Input:	Standard high impedance input. Low: Open or 0-1 VDC; High: 3-30 VDC, 10 K Ω imp; Count Speed (switch selectable) 100 Hz, 1,000 Hz, 20,000 Hz; Termination Resistance (switch selectable) 10K pull down, 4.7K pull up.
Output Power:	(AC powered units only) +12 VDC @ 100 mA
Memory:	EEPROM stores data for 10 years if power is lost.
Control Outputs:	Two.; SPDT Relays: 10 amps 120/240 VAC or 28 VDC.
K-Factor:	8-digit K-Factor dividers from 0.0001 - 99999999
Temperature:	Operating: +32°F to +130°F (0°C to +54°C)
Securing Lockout:	User selected 4-digit code
Front Panel:	NEMA 4X / IP65
Models:	GBT110 or BGT220

GRT Series - Rate, Total and Net Use Controller

Use the GRT in any Rate, Total or blending application where 2 preset alarms are required. The GRT can be used to give separate Rate and Totals for different meters, or as a net use display for two meters.



Features and Benefits:

- ✓ Separate scaling factors for A & B inputs.
- ✓ Separate add/subtract simultaneous inputs.
- ✓ Two Relays.
- ✓ 110 or 220 AC power or 12-15 VDC.

GRT – SPECIFICATIONS

Display:	6-digit, 0.55" High LED
Pulse Input:	High impedance DC pulse input 4-30 VDC (high), Open or 0-1 VDC (low), 10 Ω imp. 10 kHz maximum speed. Accepts simultaneous inputs.
Output Power:	(AC powered units only) +12 VDC @ 50 mA
Memory:	EEPROM stores data for 10 years if power is lost.
Outputs:	Two; N.O. Relays: 5 amps 120/240 VAC or 28 VDC. 4-20 mA or 0-20 mA
K-Factor:	5-digit K-Factor dividers from 0.0001 - 99999
Presets:	Two control outputs; 0.1 to 99.9 sec. or latch (0 sec)
Temperature:	Operating: +32°F to +130°F (0°C to +54°C)
Securing Lockout:	User selected 5-digit code
Front Panel:	NEMA 4X / IP65
Model Numbers:	See chart below

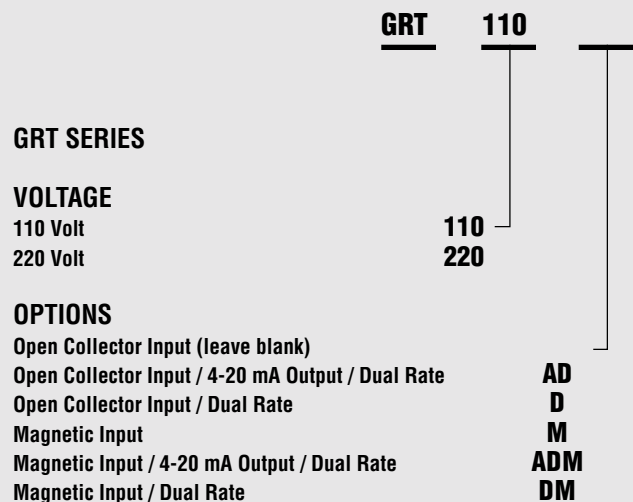
2 NEW ENCLOSURES FOR GRT SERIES CONTROLLER



Both enclosures are made of impact and corrosion resistant VELOX®, RAL7035 and carry a NEMA 4X / IP66 rating. Enclosure size is 1/8 DIN.

EN4X-2: Enclosure 2 two pre-drilled holes (0.875 in.)
 EN4X: Enclosure has no factory-drilled holes

GRT MODEL NUMBERING SYSTEM



BUY SMART . BUY VALUE . BUY GPI



Lube Meters

Positive Displacement Flowmeters

ACCURACY: ± 0.5% OF READING

Model No.
LM50P



Model No.
LM50D



Choose from one of the latest positive displacement meters available from GPI. These compact meters are perfect for metering oil and provide exceptional reliability. Choose the LM50P when Pulse Out without Display meets your application. The LM50D model includes an easy-to-read display. Both meters are designed with oval rotors for optimum accuracy.

LM50P - SPECIFICATIONS

Construction:	Aluminum
Wetted Components:	Acetal, Aluminum, Steel and Nitril
Connections:	1/2 inch NPT or BSPT
Flow Range:	0.5 - 8 GPM (1.89 - 30.2 LPM)
Max. Working Pressure:	1500 PSI / 103.5 BAR
Operating Temperature:	+23°F to +131°F (-5°C to +55°C)
Model Numbers:	LM50PB (Lube Meter 1/2" BSPT) LM50PN (Lube Meter 1/2" NPT)

LM50D - SPECIFICATIONS

Construction:	Aluminum
Wetted Components:	Acetal, Aluminum, Nitril and Steel
Connections:	1/2 inch NPT or BSPT
Flow Range:	0.26 - 8 GPM (1 - 30 LPM)
Max. Working Pressure:	1500 PSI / 103.5 BAR
Operating Temperature:	+23°F to +131°F (-5°C to +55°C)
Battery:	Two AAA Alkaline batteries
Display:	6 digit; Shows Batch, Reset Total, Non-Reset Total and Rate of Flow
Display Units:	User selectable (gallons, litres, pints or quarts)
Model Numbers:	LM50DB (Lube Meter with Display 1/2" BSPT) LM50DN (Lube Meter with Display 1/2" NPT)

Features and Benefits:

- ✓ Extremely accurate.
- ✓ Dependable performance.
- ✓ Reliable, trouble-free operation.

BUY SMART. BUY VALUE. BUY **GPI**



GREAT PLAINS INDUSTRIES, INC.